

**INSTALLER/CONSUMER
SAFETY INFORMATION**

**Read and save
these instructions.**

This book contains your installation instructions and should be kept in a safe place. For you to realize all the advantages and use of the reliable service that has been engineered into your Temco fireplace, you must carefully follow all of the instructions contained in this book regarding installation and operation of the fireplace.

These instructions should be read carefully in their entirety before beginning installation of the fireplace.

It is suggested that you wear work gloves and safety glasses to protect your hands and eyes when installing your fireplace. **NOTE:** Authorities having jurisdiction (i.e. building inspectors, fire marshals, etc.) should be consulted before installation to determine the need to obtain a permit.

When installing the Blower Kit, it is necessary to bring the power source to the fireplace before walls are enclosed. Refer to Blower Kit instructions.

These fireboxes are approved as universal fireboxes and can be paired with any ANSI Z21.11.2 approved vent-free log set. The vent-free log manufacturer's instructions - including their required dimensional clearances for firebox size, - must be followed.

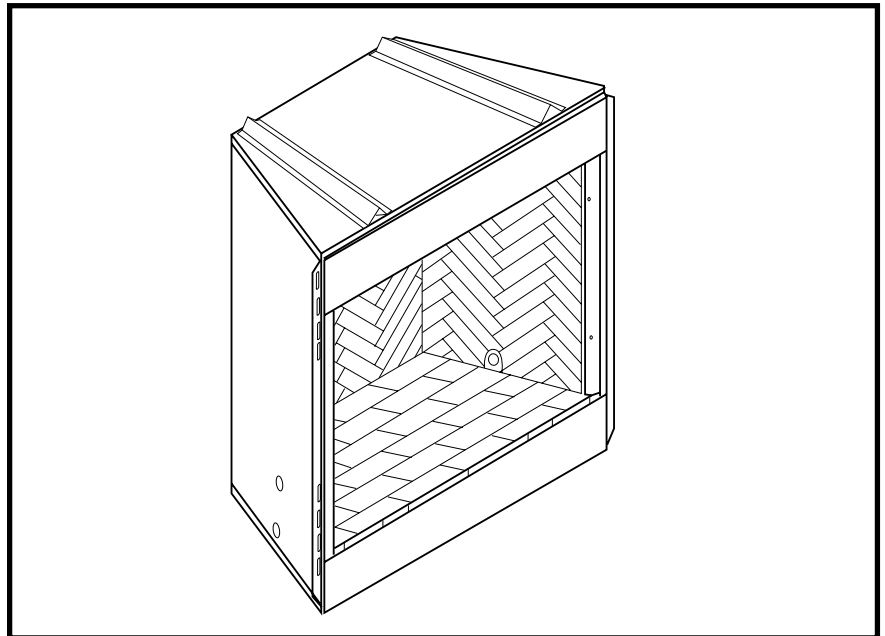
Refer to the manual that is packed with the log set for operating instructions.

MAJESTIC[®] *Fireplaces*

Vent-Free Firebox

Models: UVSRC36A

UVSRC42A



Homeowner's Installation and Operating Manual



CFM Specialty Home Products

410 Admiral Blvd. • Mississauga, Ontario, Canada L5T 2N6 • 905-670-7777
www.majesticproducts.com • www.vermontcastings.com

INSTALLER DO NOT DISCARD THIS MANUAL - Leave in Fireplace for Homeowner

20007435 6/04 Rev. 1

Table of Contents

Fireplace Dimensions	3
Installation Instructions	4
Choosing a location	4
Gas line	4
Drafts	4
Fireplace Clearances	4
Installing the Firebox	5
Finishing the Fireplace	7
Hearth Extension	7
Pre-Wiring of Junction Box	7
Electrical Services	7
BL-4 Blower Installation	7
UVSRC36A Installation	8
UVSRC42A Installation	8
Servicing	9
Replacement Parts	10
Accessories	10
Warranty	11

UVSRC36A, UVSRC42A Certified To
ANSI Z 21.91.2001 Ventless Fireboxes
for use with any ANSI Z21.11.2 Unvented Room Heaters

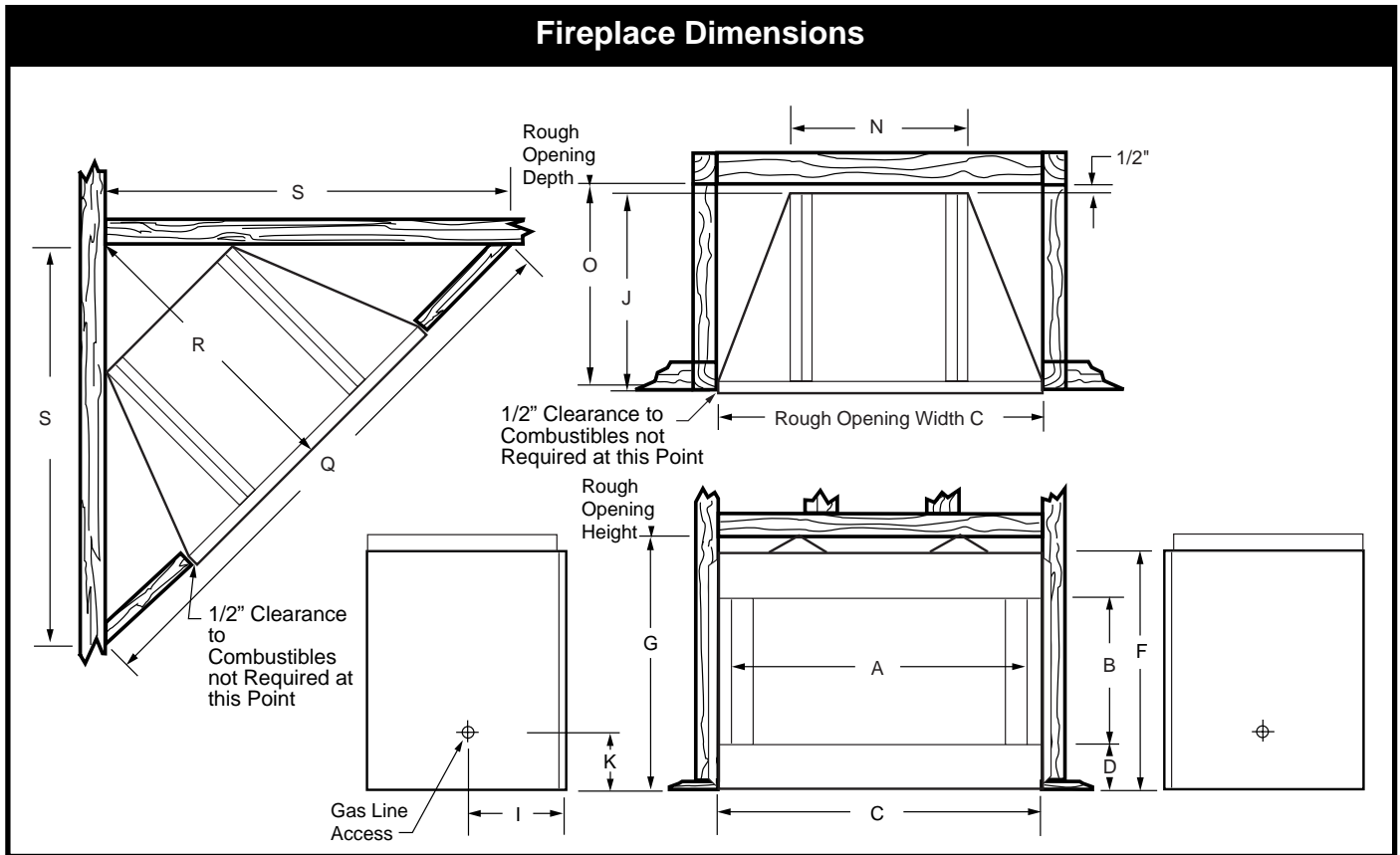


Fig. 1 UVSRC36A and UVSRC42A specifications and framing dimensions.

	UVSRC36A	UVSRC42A
A	36"	42"
B	27 ³ / ₄ "	27 ³ / ₄ "
C	39 ¹ / ₄ "	45 ¹ / ₄ "
D	7"	7"
F	41"	41"
G	44 ¹ / ₄ "	44 ¹ / ₄ "
I	9 ⁷ / ₈ "	9 ⁷ / ₈ "
J	21"	22"
K	8 ¹ / ₈ "	8 ¹ / ₈ "
N	22"	32"
O	21"	22"
Q	65"	76"
R	32 ¹ / ₂ "	38"
S	46"	53 ³ / ₄ "

Installation Instructions

Choosing the Location for Your Fireplace

Figure 1 shows some of the many ways your fireplace may be installed. Consider the traffic pattern in your room and the location of doors and windows. Moving air from ceiling fans, open doors and hot air grilles may cause the flames to sputter. If a disturbance is found that affects the flames, it must be eliminated by turning off the ceiling fan, closing the door or closing or moving the hot air register. A corner location may be best where space is limited.

Your fireplace weighs no more than some of your fine furniture. If the fireplace is located near a load bearing wall, additional supports to the foundation will not be necessary. HEAVY FACINGS SUCH AS BRICK, STONE, ETC., MAY REQUIRE ADDITIONAL FOUNDATION SUPPORT.

ALTHOUGH THIS UNIT MAY BE INSTALLED ON COMBUSTIBLE SURFACES, IT MUST NOT BE INSTALLED ON CARPET OR VINYL.

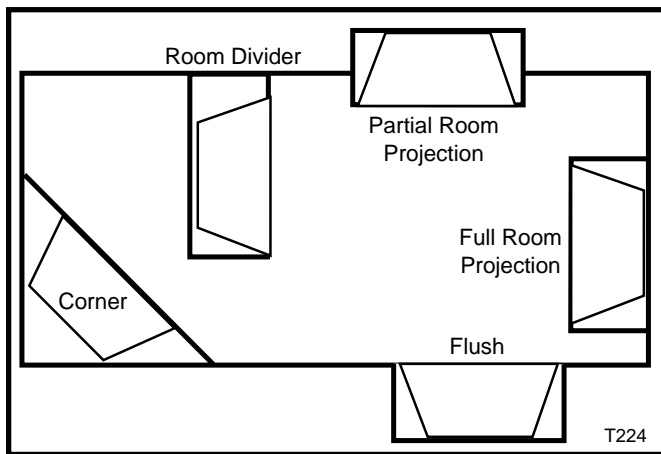


Fig. 2 Locating the fireplace.

Gas Line

The gas line must be installed before framing in the fireplace by a licensed gas line installer.

Drafts

Do not locate the fireplace in high traffic areas or areas exposed to high drafts and winds. Locate the fireplace away from furniture and draperies.

Fireplace Clearances

The fireplace may be placed directly on a combustible floor, against a combustible wall at marked clearances or on a raised wooden platform.

If the fireplace is to be installed on a raised wooden platform, the platform must be a continuous level surface. The fireplace must be secured in place so it cannot shift positions. The nailing flanges on the sides of the firebox make securing it to the framing easy. They were designed to allow the installation of 1/2" wallboard or plywood flush with the face of the fireplace.

Only the header (Fig. 1) may rest on the standoffs on top of the firebox.

When the fireplace is installed over carpeting, vinyl, tile or any combustible material other than wood flooring, it must be installed on a metal or wood panel extending its full width and depth. Alternatively, the carpeting, vinyl tile, etc., may be removed from beneath the fireplace before installing. COMBUSTIBLE MATERIALS MUST NOT BE INSTALLED OVER OR TOUCH ANY BLACK PAINTED SURFACE. DO NOT BLOCK HEAT CIRCULATING AIR OUTLETS. DOING SO MAY RESULT IN POTENTIAL FIRE HAZARD.

Clearances

To ensure a safe installation the following instructions must be carefully observed.

1. **Sidewall Clearances:** Clearances from the side of the fireplace opening to any combustible wall should not be less than 5". (Fig. 3a)
2. **Ceiling Clearances:** The ceiling height should not be less than 42" from the top of the fireplace opening.
3. **Mantel Clearances:**
 - A. If the fireplace has no mantelpiece, then the heat resistant material must extend upwards a distance of at least 9½" from the fireplace opening. (Fig. 3b) A mantel projection must be a minimum of 24" above the top fireplace opening if a canopy is **not** installed.
 - B. Noncombustible materials used in this installation such as slate, marble, tile, etc. must be at least 1/2" thick. Do not install a combustible material behind sheet metal. Failure to use noncombustible materials above the opening as specified in these instructions may cause damage to the materials used and create a fire hazard.
 - C. An optional heat reducing canopy is available for use with the fireplace. Use of this canopy is optional in order to reduce mantel heights as shown in Figure 3c. If the canopy is installed, a combustible mantel piece may project 2" from the wall at 9½" above the fireplace opening. A 6" mantel projection at 16" above the fireplace

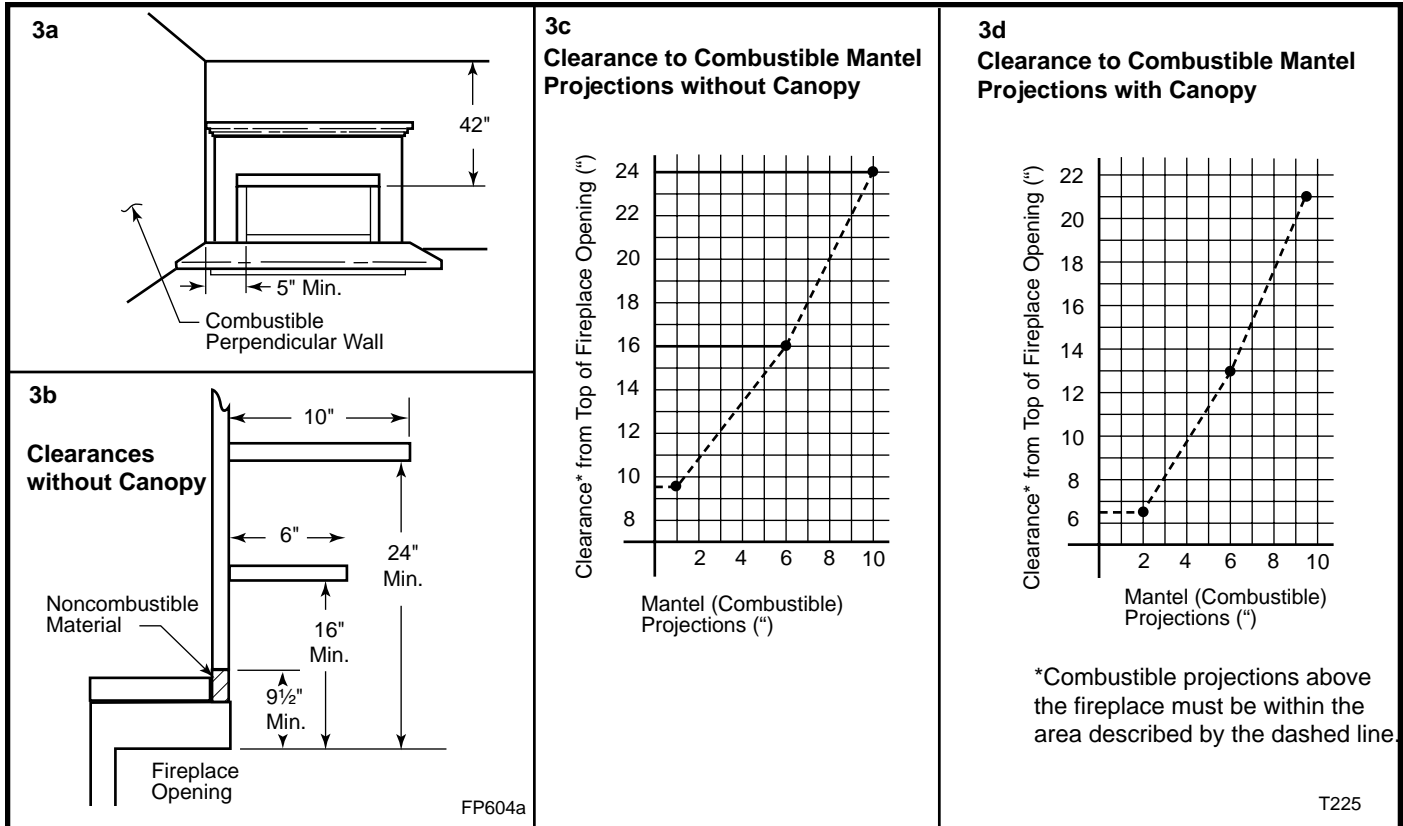


Fig. 3 Clearances to combustibles.

opening and a 10" projection at 24" above the opening. (Fig. 3b and 3c)

To install the optional canopy, you will need a phillips screwdriver. The canopy has four holes along the top edge. The middle two holes are smaller than the outer two holes. Remove the four (4) screws in the upper channel (to front edge) of the firebox. The canopy will fit tightly in the top front edge of the fireplace opening. Attach the canopy with the four (4) sheet metal screws previously removed from the upper channel.

- 4. Floor Clearances:** No clearance is required if the appliance is installed per these instructions.

Installing the Firebox

This list of specific instructions will help you make certain that every installation operation is done correctly. Complete the installation steps in the sequence shown.

LOCAL BUILDING CODES SHOULD BE CONSULTED IN ALL CASES AS TO THE PARTICULAR REQUIREMENTS CONCERNING THE INSTALLATION OF FACTORY BUILT FIREPLACES.

Select the location for the fireplace by taking into consideration the factors previously outlined in the Choosing the Location section of the manual.

Step 1: Framing the Firebox

The width of the framed opening must be 39¼" for UVSRC36A or 45¼" for UVSRC42A. (Fig. 4)

The entire fireplace can be elevated above the floor to achieve a raised hearth effect. This can be done by adding a small platform to achieve the desired height.

NOTE: See pre-wiring of Junction Box and Electrical Services on Page 7.

Step 2: Install the Firebox

Install the firebox into the framed opening by setting it directly in front of the opening and sliding it into the proper position.

Step 3: Level the Firebox

Check the level of the firebox on the top edge of the fireplace face. Shim if necessary.

Step 4: Secure the Firebox

Secure the firebox to the framing. The nailing flanges on the firebox will make securing the firebox to the frame quick and easy. Use appropriate size nails or screws to secure the firebox.

Step 5: Gas Piping and Connection

The gas piping must be installed in accordance with local codes or, in the absence of local codes, in accordance with the National Fuel Gas Code, ANSI Z223.1/ NFPA 54, latest edition.

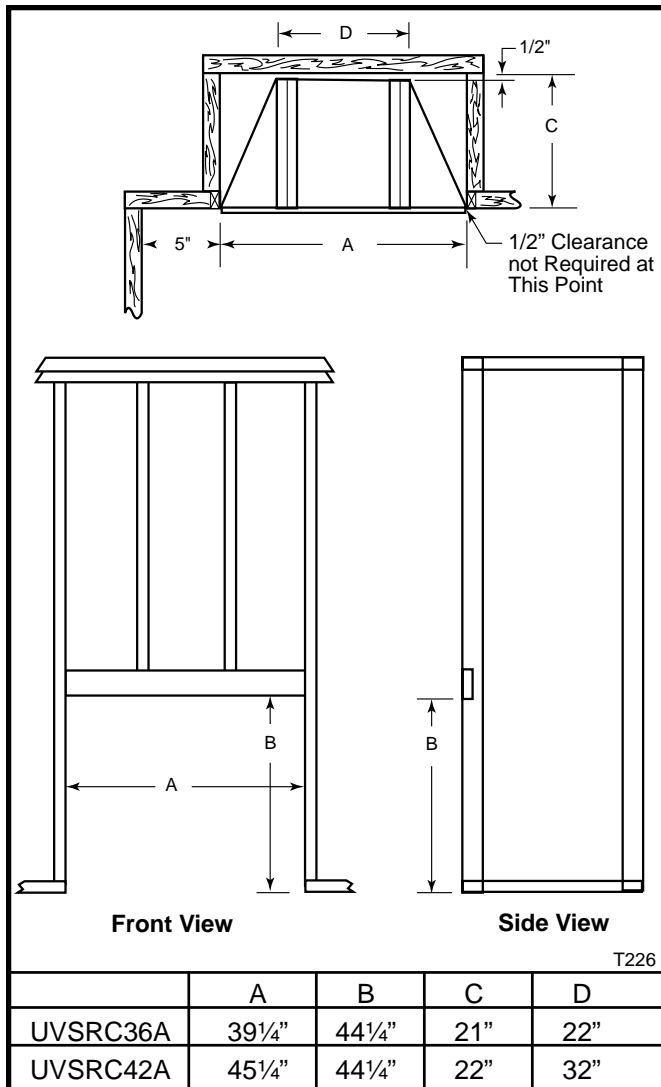


Fig. 4 Framing dimensions.

The normal gas connection is 1/2" NPT, made at the left side facing the unit. If a right side connection is desired, the connecting pipe must be led at the rear of the fireplace to terminate at the left hand side for connection to the fireplace.

Piping should be tested for leaks prior to final wall installation. Test for leaks using soap and water solution after completing the connection. **DO NOT USE OPEN FLAME.**

Step 6: Optional Procedure For Cold Climate Installations

The insulation and sealing of the enclosure around the fireplace is very important in cold climates. If the enclosure is insulated and sealed properly, you can avoid future cold air problems. The time taken to install the firebox correctly is well worthwhile. The following steps are to stop potential cold air problems.

Insulation of the Fireplace Enclosure

When in a chase or an outside wall, the fireplace enclosure should be insulated like any other wall of your home. Insulation should be installed on the outside wall(s) and the wall above the fireplace.

Insulate to Seal Under the Fireplace

Insulating under the fireplace is beneficial for installations on a concrete slab. The fireplace should be placed on insulating board. It is important that a hard, rigid surface be maintained, so do not use fiberglass insulation for this purpose.

CAUTION: WHEN INSTALLING A FIREPLACE IN AN INSULATED ENCLOSURE, BE SURE TO MAINTAIN ALL MARKED AIR SPACES.

Seal Seams

Seal the seams of the fireplace where the outer wall meets the bottom pan and the front face. Also seal between the fireplace and finishing materials. Use high temperature caulk. Refer to Figure 6 for details of sealing spaces between the fireplace and finishing materials. Note the small amount of insulation installed across the top of the fireplace and down the sides as a backing for the caulk.

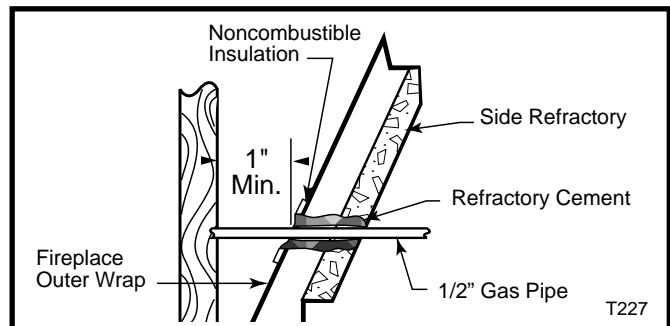


Fig. 5 Gas line installation.

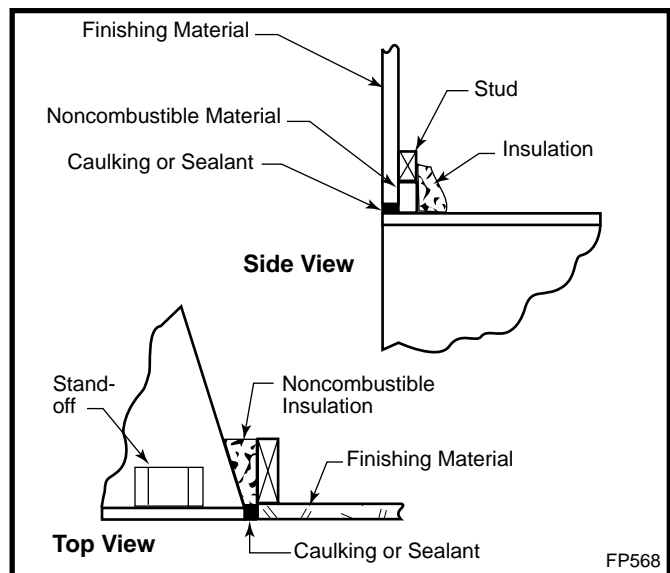


Fig. 6 Sealing spaces between fireplace and finishing materials.

Finishing the Fireplace

There are a wide variety of finishing materials available for your fireplace from formal wall treatments with marble and mantels to rustic wood paneling, stone or brick.

IT IS IMPORTANT THAT THE BLACK FACE OF THE FIREPLACE NOT BE COVERED WITH ANY TYPE OF COMBUSTIBLE MATERIAL.

Noncombustible facing materials such as marble, brick or ceramic tile may overlap the black face of the fireplace up to the opening on either side of the fireplace. Seal all joints between the black fireplace face and the wall covering with a heat-resistant material such as rock wool insulation or mortar. Be sure to use high temperature adhesive or mortar when anchoring brick, stone or tile to the face of the fireplace. Check to see whether man-made brick and stone are made of noncombustible materials before using them on the face of the fireplace. Some of these products contain combustible materials. Combustible wall coverings such as paneling or wallboard may not overlap the black face of the fireplace. The space between the wall covering and the fireplace should be sealed with a heat-resistant material such as rock wool insulation or mortar.

NOTE: An "L" shaped steel lintel must be installed across the top of the firebox opening where facing materials such as brick or stone are used on the face of the firebox. It acts as a support/firestop. It should be attached to the face of the fireplace with screws and sealed to the fireplace with a heat-resistant sealer.

Hearth Extension

A hearth extension may be used but is not required for these fireboxes.

A raised hearth extension may be used as shown in Figure 7.

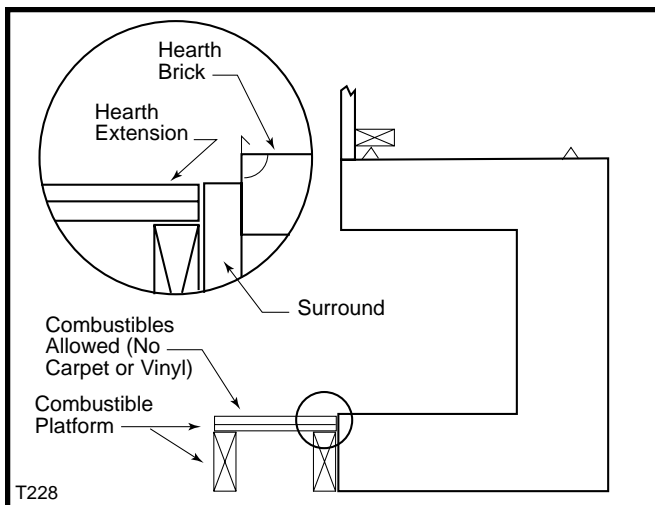


Fig. 7 Raised hearth extension.

Pre-Wiring of Junction Box

Wiring should be connected at the junction box located on the right side of the firebox prior to the installation of the blower kit. A standard wall box should be used to contain the SCVS - Variable Speed Control Kit.

Electrical Services

If an electrical supply of 120V is being roughed in to the fireplace junction box to provide for future installation of optional blower kit, the wiring should be connected to the junction box located on the right side of the firebox.

NOTE: All electric connections are to be made in accordance with CSA Standard C22.1-Canadian Electrical Code part 1 or with the National Electrical Code, ANSI/NFPA 70 (latest edition) and/or in accordance with local codes.



CAUTION: Should this blower require servicing, the power supply must be disconnected.

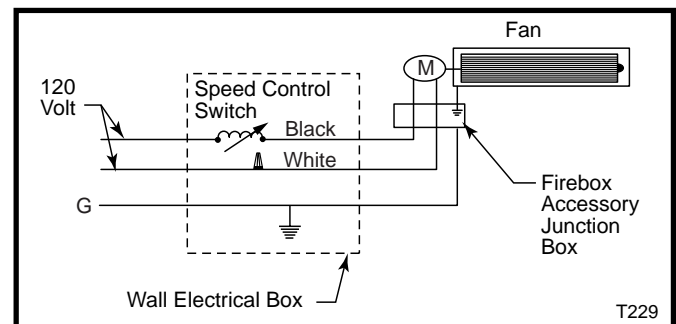


Fig. 8 Blower wiring diagram.

Blower Installation

BEFORE YOU BEGIN...A FEW BASIC RULES

1. Check to ensure that electrical service has been provided to the junction box located in the bottom chamber of the firebox.
2. Check local building codes before installation of the firebox and the blower kit.
3. All wiring must be installed and/or inspected as necessary to comply with the local authority having jurisdiction.
4. The circuit breaker controlling the power supply to the **pre-wired** junction box in the appliance must be in the "OFF" position before beginning installation of the blower.
5. The appliance, when installed, must be electrically grounded in accordance with local codes or - in the absence of local codes - with the National Electrical Code, ANSI/NFPA 70 or the Canadian Electrical Code, CSA C22.1.



Read all the installation instructions for the applicable appliance before beginning the installation of the blower.

UVSRC36A Blower Installation

Step 1: Carefully unpack the blower assembly and familiarize yourself with the parts. Care should be taken not to damage the fan blades or housing.

Step 2: The SCVS - Variable Speed Control Kit (or standard wall switch) should be installed before the blower assembly installation. Please refer to instructions found in the SCVS Kit.

Step 3: Remove the bottom brick from the fireplace and carefully place it to the side to prevent damage. Use a flat blade screwdriver to gently lift up the front edge of the brick, then pull forward to remove.

Step 4: Locate the blower access cutout found at the rear of the hearth pan. Next, remove tape backing from tape on blower housing. Center the blower assembly in the access cutout area with the blower outlet duct pointing upward, then press firmly to attach foam tape to the back and bottom of the fireplace. (Fig. 9)

Step 5: Locate the junction box cutout found on the right side of the hearth pan. Route the powercord under the hearth pan and plug it into the receptacle outlet found in the junction box. (Fig. 10)

Step 6: Turn power back on and test blower operation.

Step 7: Replace the bottom brick in the fireplace.

UVSRC42A Installation

Step 1: Carefully unpack the blower assembly and familiarize yourself with the parts. Care should be taken not to damage the fan blades or housing.

Step 2: The SCVS - Variable Speed Control Kit (or standard wall switch) should be installed before the blower assembly installation. Please refer to instructions found in the SCVS Kit.

Step 3: Remove the metal hearth cover and the bottom two right brick panels from the fireplace and carefully place them to the side to prevent damage.

Step 4: Locate the blower access cutout found at the rear of the hearth pan. Next, remove tape backing from tape on blower housing. Center the blower assembly in the access cutout area with the blower outlet duct pointing upward, then press firmly to attach foam tape to the back and bottom of the fireplace. (Fig. 9)

Step 5: Locate the junction box cutout found on the right side of the hearth pan. Route the powercord under the hearth pan and plug it into the receptacle outlet found in the junction box. (Fig. 10)

Step 6: Turn power back on and test blower operation.

Step 7: Replace the metal hearth cover and the bottom two right panels in the fireplace.

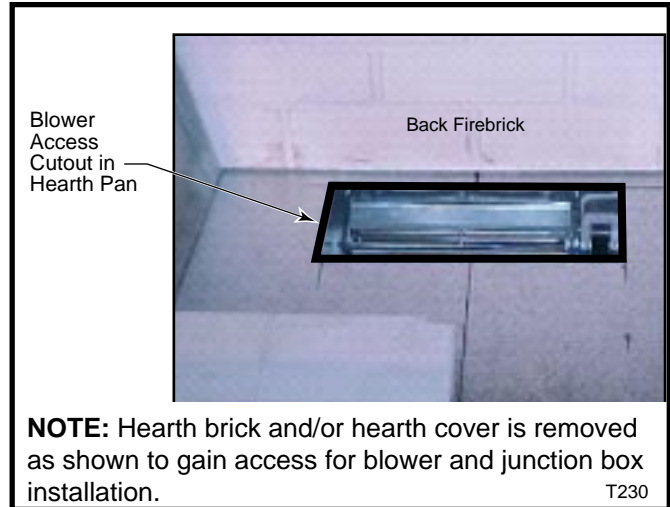


Fig. 9 Blower access.

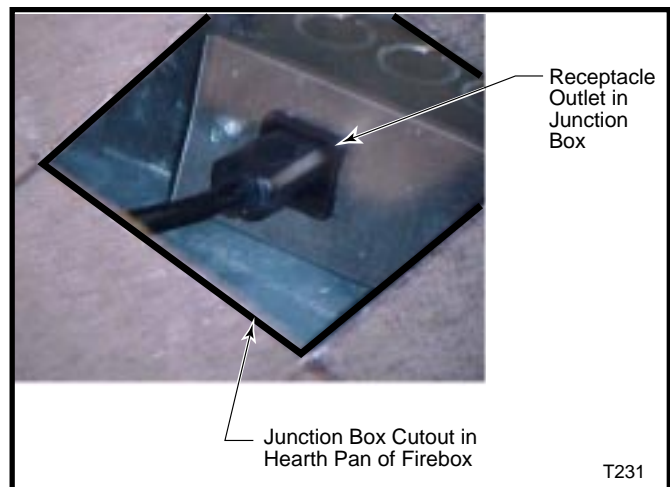


Fig. 10 Route powercord under the hearth pan and plug into the receptacle outlet.

Finishing the Fireplace

There are a wide variety of finishing materials available for your fireplace from formal wall treatments with marble and mantels to rustic wood paneling, stone or brick.

IT IS IMPORTANT THAT THE BLACK FACE OF THE FIREPLACE NOT BE COVERED WITH ANY TYPE OF COMBUSTIBLE MATERIAL.

Noncombustible facing materials such as marble, brick or ceramic tile may overlap the black face of the fireplace up to the opening on either side of the fireplace. Seal all joints between the black fireplace face and the wall covering with a heat-resistant material such as rock wool insulation or mortar. Be sure to use high temperature adhesive or mortar when anchoring brick, stone or tile to the face of the fireplace. Check to see whether man-made brick and stone are made of noncombustible materials before using them on the face of the fireplace. Some of these products contain

combustible materials. Combustible wall coverings such as paneling or wallboard may not overlap the black face of the fireplace. The space between the wall covering and the fireplace should be sealed with a heat-resistant material such as rock wool insulation or mortar. If covering the face with a noncombustible, use the flush panel kit. Do not place facing material directly over the louvered openings.

NOTE: An "L" shaped steel lintel must be installed across the top of the firebox opening where facing materials such as brick or stone are used on the face of the firebox. It acts as a support/firestop. It should be attached to the face of the fireplace with screws and sealed to the fireplace with a heat-resistant sealer.

Servicing

Repair and replacement work should only be done by a qualified service person.

Always shut off the gas supply and make sure the appliance is cool before beginning any service operation.

Always check for gas leaks after servicing.

UVSRC36A, UVSRC42A Unvented Fireboxes

Description	UVSRC36A	UVSRC42A
Firescreen Rod (2 per fireplace)	76397	76397
Firescreen w/Rings (2 per fireplace)	72301	72301
Screen Retainer (4 per fireplace)	62222	62222
Back Brick	77530	76292
Right Side Brick	77528	76276
Left Side Brick	77529	76285
Bottom Brick	73500	--
Bottom Left Brick	--	79013
Bottom Middle Right/Left Brick	--	79014
Bottom Right Brick	--	79015
Cover, Hearth	--	78988

Contact CFM Specialty Home Products for questions concerning prices and policies covering replacement parts. Parts may be ordered through your Majestic Fireplaces distributor or dealer.

You will need the correct name, part number and model number of the appliance when ordering replacement parts.

Should you need additional information beyond what your dealer can furnish, contact:

CFM Specialty Home Products
 410 Admiral Blvd.
 Mississauga, Ontario
 Canada L5T 2N6

Accessories	
Blower Kit	BL-4 or FK12 (Junction box is provided with fireplace)
Heat Reducing Canopy	UC36 (UVSRC36A) UC42 (UVSRC42A)
Brick Canopy	BC36L (UVSRC36A) BC42L (UVSRC42A)
Variable Speed Control	SCVS

LIMITED LIFETIME WARRANTY

PRODUCT COVERED BY THIS WARRANTY

All Vermont Castings gas stoves, gas inserts, and gas fireplaces, and all Majestic or Northern Flame brand gas fireplaces equipped with an Insta-Flame Ceramic Burner, or standard steel tube burner.

BASIC WARRANTY

CFM Specialty Home Products (hereinafter referred to collectively as the Company) warrants that your new Vermont Castings or Majestic Gas Fireplace/Stove is free from manufacturing and material defects for a period of one year from the date of purchase, subject to the following conditions and limitations.

EXTENDED LIFETIME WARRANTY

The heat exchanger, where applicable, and combustion chamber of every Vermont Castings or Majestic gas product is warranted for life against through wall perforation. All appliances equipped with an Insta-Flame Ceramic Burner have limited lifetime coverage on the ceramic burner plaque. Warrantees are made to the original owner subject to proof of purchase and the conditions and limitations listed on this Warranty Document

COMPONENT WARRANTY

CAST IRON: All external and internal cast iron parts are warranted for a period of three years.

Note: On porcelain enamel finished external parts and accessories The Company offers no Warranty on chipping of enamel surfaces. Inspect all product prior to accepting it for any damage to the enamel.

The salt air environment of coastal areas or a high humidity environment can be corrosive to the porcelain enamel finish. These conditions can cause rusting of the cast iron beneath the porcelain enamel finish, which will cause the finish to flake off.

Dye lot variations with replacement parts and/or accessories can occur and are not covered by warranty.

GLASS DOORS: Glass doors are covered for a period of one year. Glass doors are not warranted for breakage due to misuse or accident. Glass doors are not covered for discoloration or burned in stains due to environmental issues, or improper cleaning and maintenance.

BRASS PLATED PARTS AND ACCESSORIES: Brass parts should be cleaned with Lemon oil only. Brass cleaners cannot be used. Mortar mix and masonry cleaners may corrode the brass finish. The Company will not be responsible for, nor will it warrant any brass parts which are damaged by external chemicals or down draft conditions.

GAS VALVES: Gas valves are covered for a period of one year

ELECTRONIC AND MECHANICAL COMPONENTS: Electronic and mechanical components of the burner assembly are covered for one year. All steel tube burners are warranted for one year.

ACCESSORIES: Unless otherwise noted all components and CFM Specialty Home Products company supplied accessories are covered for a period of one year.

CONDITIONS AND LIMITATIONS

- This new Vermont Castings or Majestic product must be installed by a competent, authorized, service contractor. A licensed technician, as prescribed by the local jurisdiction must perform any installation/service work. It must be installed and operated at all times in accordance with the Installation and Operating instructions furnished with the product. Any alteration, willful abuse, accident, or misuse of the product shall nullify this warranty.
- This warranty is non-transferable, and is made to the original owner, provided that the purchase was made through an authorized supplier of the Company.
- The customer must pay for any Authorized Dealer in-home travel fees or service charges for in-home repair work. It is the dealers option whether the repair work will be done in the customer's home or in the dealer's shop.
- If upon inspection, the damage is found to be the fault of the manufacturer, repairs will be authorized at no charge to the customer parts and/or labor.

- Any part and/or component replaced under the provisions of this warranty is covered for six months or the remainder of the original warranty, whichever is longest.
- This warranty is limited to the repair of or replacement of part(s) found to be defective in material or workmanship, provided that such part(s) have been subjected to normal conditions of use and service, after said defect is confirmed by the Company's inspection.
- The company may, at its discretion, fully discharge all obligations with respect to this warranty by refunding the wholesale price of the defective part(s)
- Any installation, labor, construction, transportation, or other related costs/expenses arising from defective part(s), repair, replacement, or otherwise of same, will not be covered by this warranty, nor shall the Company assume responsibility for same. Further, the Company will not be responsible for any incidental, indirect, or consequential damages except as provided by law.
- *SOME STATES DO NOT ALLOW FOR THE EXCLUSION OR LIMITATIONS OF INCIDENTAL AND CONSEQUENTIAL DAMAGES OR LIMITATIONS ON HOW LONG AN IMPLIED WARRANTY LASTS, SO THE ABOVE LIMITATIONS MAY NOT APPLY TO YOUR CIRCUMSTANCES. THIS WARRANTY GIVES YOU SPECIFIC RIGHTS AND YOU MAY HAVE OTHER RIGHTS WHICH VARY FROM STATE TO STATE.*
- All other warranties-expressed or implied- with respect to the product, its components and accessories, or any obligations/liabilities on the part of the Company are hereby expressly excluded.
- The Company neither assumes, nor authorizes any third party to assume on its behalf, any other liabilities with respect to the sale of this Vermont Castings or Majestic product
- The warranties as outlined within this document do not apply to chimney components or other non CFM Specialty Home Products accessories used in conjunction with the installation of this product..
- Damage to the unit while in transit is not covered by this warranty but is subject to claim against the common carrier. Contact the dealer from whom you purchased your fireplace/stove (do not operate the appliance as this might negate the ability to process the claim with the carrier).
- The Company will not be responsible for:
 - a) Down drafts or spillage caused by environmental conditions such as near-by trees, buildings, roof tops, hills, or mountains.
 - b) Inadequate ventilation or negative air pressure caused by mechanical systems such as furnaces, fans, clothes dryers, etc.
- This warranty is void if:
 - a) The fireplace has been operated in atmospheres contaminated by chlorine, fluorine, or other damaging chemicals.
 - b) The fireplace has been subjected to prolonged periods of dampness or condensation
 - c) Any damages to the fireplace, combustion chamber, heat exchanger or other components due to water, or weather damage, which is the result of but not limited to, improper chimney/venting installation.
 - d) Any alteration, willful abuse, accident, or misuse of the product has occurred.

IF WARRANTY SERVICE IS NEEDED...

- 1) Contact your supplier. Make sure you have your warranty, your sales receipt, and the model/serial number of your CFM Specialty Home Products product.
- 2) DO NOT ATTEMPT TO DO ANY SERVICE WORK YOURSELF.

CFM Specialty Home Products

410 Admiral Blvd. • Mississauga, Ontario, Canada L5T 2N6 • 905-670-7777
www.majesticproducts.com • www.vermontcastings.com